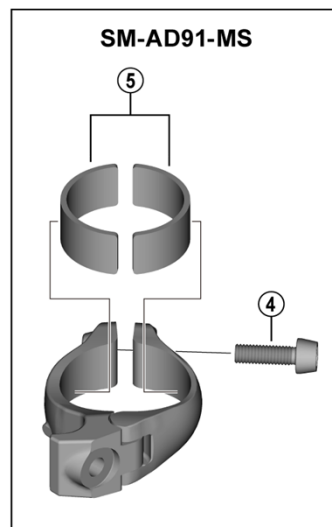
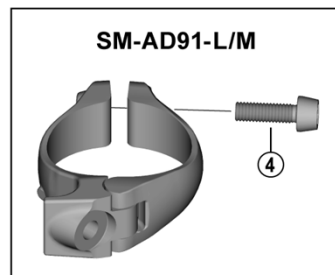
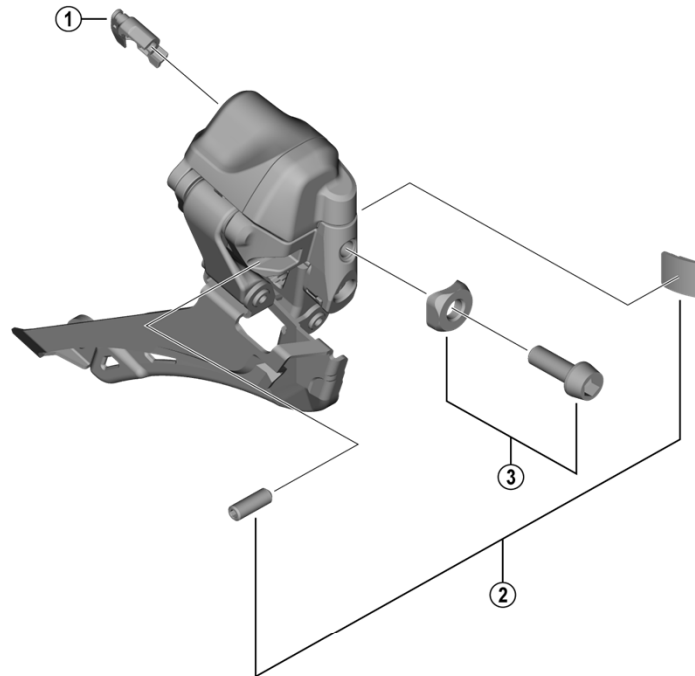


ULTEGRA Front Derailleur

FD-R8150 (2x12-speed)



| ITEM NO. | SHIMANO CODE NO. | DESCRIPTION | INTERCHANGEABILITY |
|----------|------------------|---|--------------------|
| 1 | Y2JP06000 | Plug cover | A |
| 2 | Y2BA98020 | Support screw and plate | A |
| 3 | Y2JP98010 | Clamp screw and radius washer | A |
| 4 | Y5ZS39000 | Clamp screw (M5 x 17) | A |
| 5 | Y5P198030 | Clamp band adapter unit for S-size (Diameter 28.6 mm) | A |

A: Same parts.

B: Parts are usable, but differ in materials, appearance, finish, size, etc.

Absence of mark indicates non-interchangeability.

Specifications are subject to change without notice.

FD-R9250

Sep.-2021-4863

© Shimano Inc. I

SHIMANO