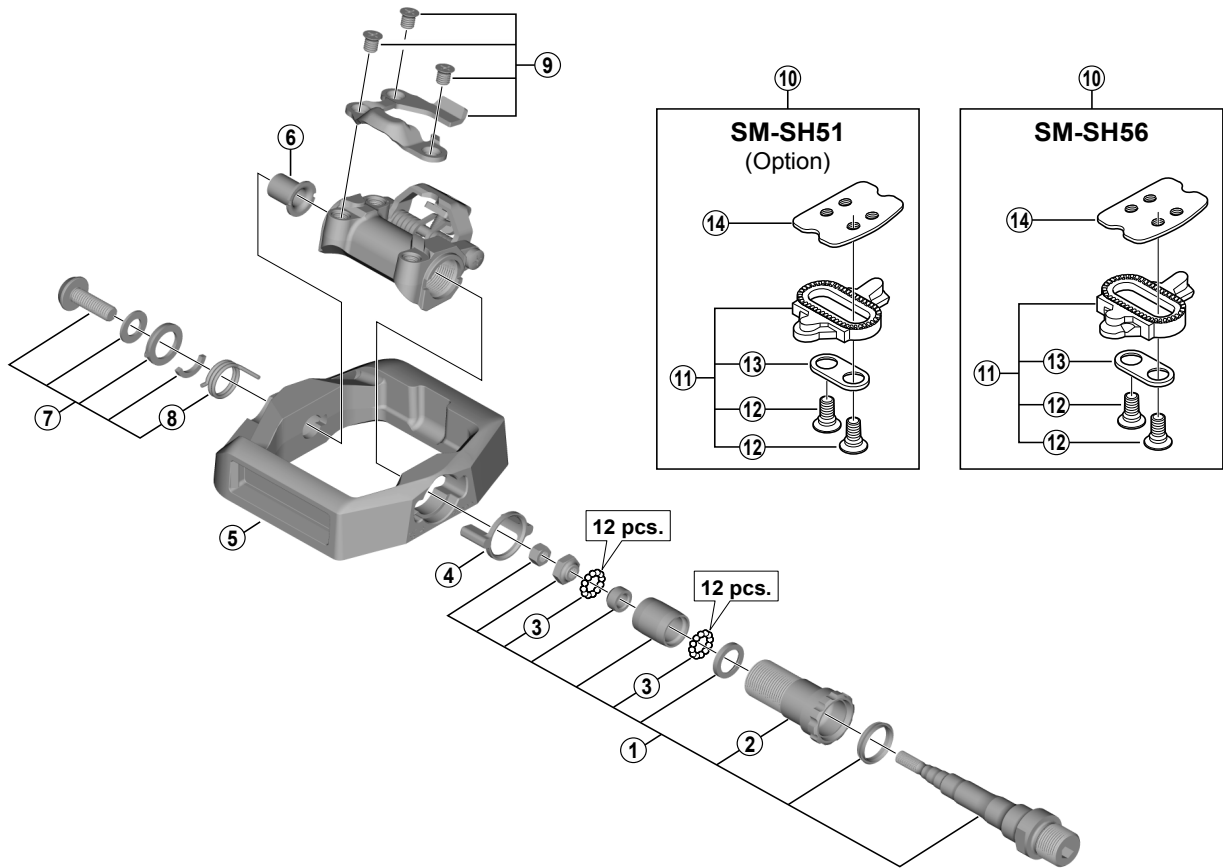


SHIMANO CLICK'R/Flat Pedals

PD-T421



PD-MT50

ITEM NO.	SHIMANO CODE NO.	DESCRIPTION	INTERCHANGEABILITY
1	Y41P98030	Pedal Axle Assembly (Right / B.C.9/16" x 20T.P.I.)	A
	Y41P98020	Pedal Axle Assembly (Left / B.C.9/16" x 20T.P.I.)	A
2	Y43Z13100	Lock Bolt (Right)	A
	Y43Z14100	Lock Bolt (Left)	A
3	Y41N98030	Steel Ball (3/32") 62 pcs.	A
4	Y41V14000	Axle Sleeve	A
5	YL8598010	Cage (Right) & Reflector	
	YL8598020	Cage (Left) & Reflector	
	YL8598030	Cage (Right) & Reflector (AS)	
	YL8598040	Cage (Left) & Reflector (AS)	
6	Y41V13000	Sleeve	A
7	Y41V98090	Cage Fixing Bolt Unit (Right)	A
	Y41V98100	Cage Fixing Bolt Unit (Left)	A
8	Y41V09000	Cage Spring (Right)	A
	Y41V10000	Cage Spring (Left)	A
9	Y41V98110	Body Cover (Right) & Fixing Bolts (M5)	A
	Y41V98120	Body Cover (Left) & Fixing Bolts (M5)	A
10	Y42498220	SM-SH51 Cleat Set (Single Release Mode / Pair)	A
	Y41S98092	SM-SH56 Cleat Set (Multiple Release Mode / Pair)	A
11	Y42498201	SM-SH51 Cleat Set w/o Cleat Nut (Single Release Mode / Pair)	A
	Y41S98100	SM-SH56 Cleat Set w/o Cleat Nut (Multiple Release Mode / Pair)	A
12	Y41704030	Cleat Fixing Bolt (1 pc.)	A
13	Y42423000	Cleat Adapter (1 pc.)	A
14	YL0E04000	Cleat Nut (1 pc.)	A

A: Same parts.

B: Parts are usable, but differ in materials, appearance, finish, size, etc.

Absence of mark indicates non-interchangeability.

Specifications are subject to change without notice.

May-2016-4052

© Shimano Inc. I

SHIMANO