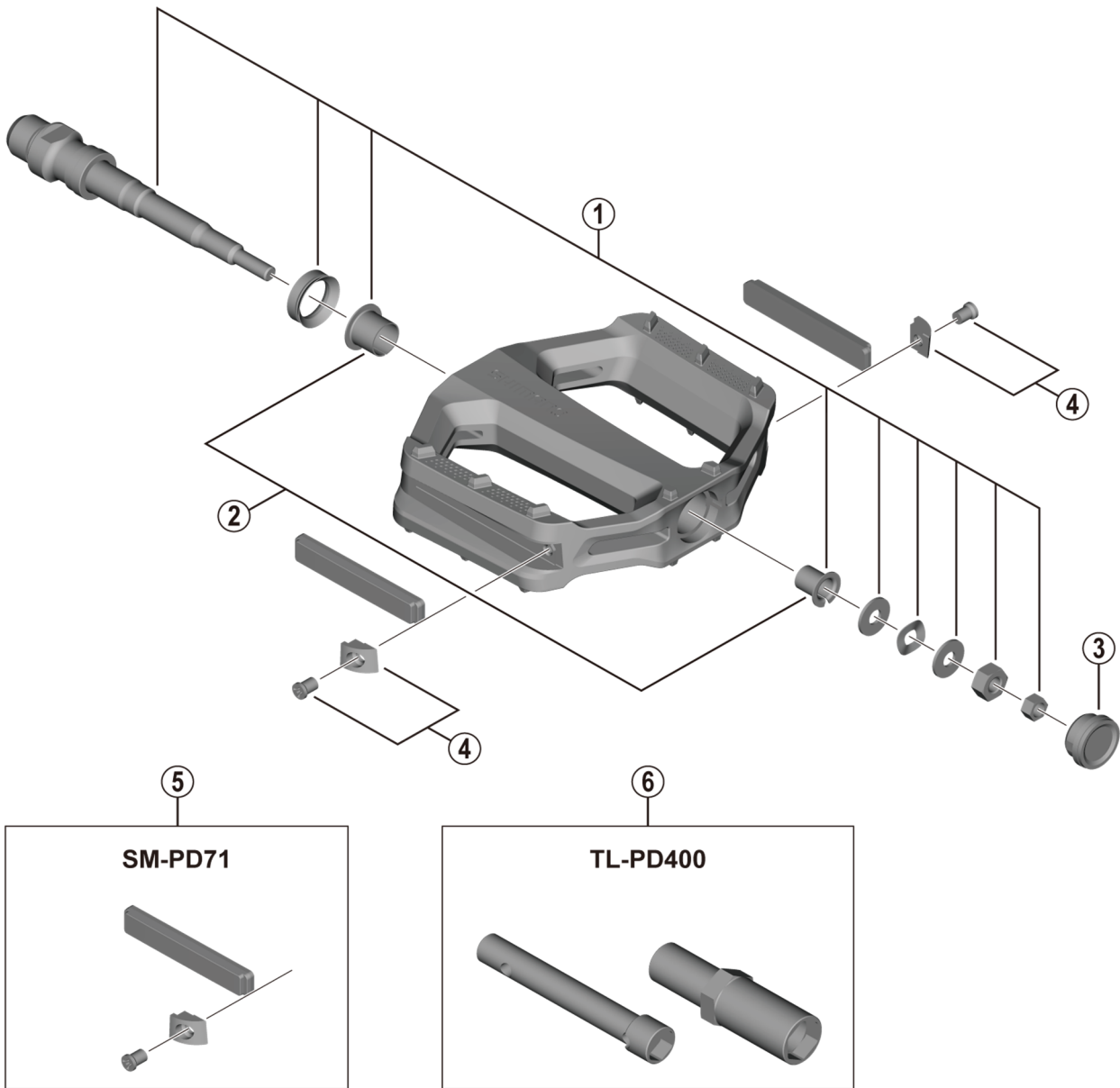


Pedals

PD-EF102



PD-GR400

ITEM NO.	SHIMANO CODE NO.	DESCRIPTION	INTERCHANGEABILITY	
1	YL8Y98010	Pedal axle assembly (right / B.C.9/16" x 20T.P.I.)	B	
	YL8Y98020	Pedal axle assembly (left / B.C.9/16" x 20T.P.I.)	B	
2	YL8Y98060	Inner bush and outer bush	A	
3	YL8Y11000	Cap		
4	YL8Y98030	Reflector fixing screw and plate (right)		
	YL8Y98040	Reflector fixing screw and plate (left)		
5	YL8Y98050	SM-PD71 Reflector unit (4 pcs.)		
6	Y40098020	TL-PD400 Cone adjusting tool set	A	

A: Same parts.

B: Parts are usable, but differ in materials, appearance, finish, size, etc.

Absence of mark indicates non-interchangeability.

Specifications are subject to change without notice.

Dec.-2021-4911

© Shimano Inc. I

SHIMANO