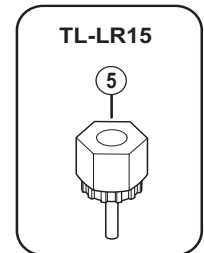
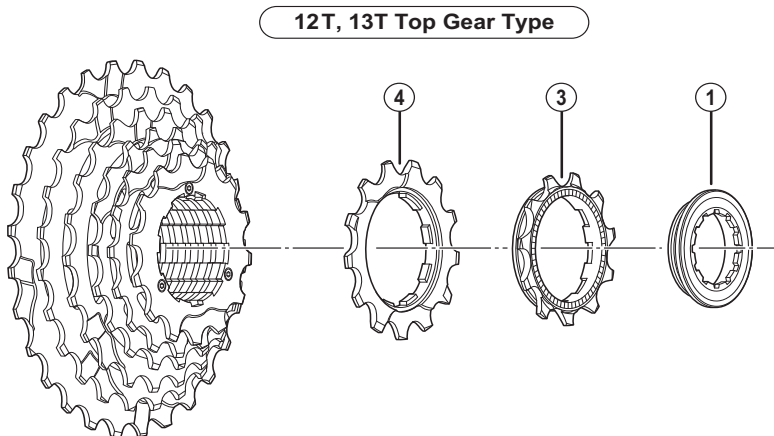
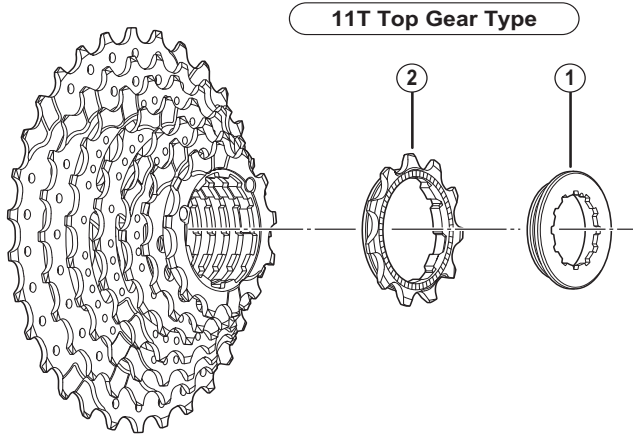


Cassette Sprocket (8-speed)

CS-HG50-8



- bf-group sprocket teeth combination: 11-13-15-17-19-21-24-28T
- an-group sprocket teeth combination: 11-13-15-17-20-23-26-30T
- aw-group sprocket teeth combination: 11-13-15-18-21-24-28-32T
- ca-group sprocket teeth combination: 11-13-15-18-21-24-28-34T
- S-group sprocket teeth combination: 12-13-14-15-16-17-19-21T
- U-group sprocket teeth combination: 12-13-14-15-17-19-21-23T
- W-group sprocket teeth combination: 12-13-15-17-19-21-23-25T
- T-group sprocket teeth combination: 13-14-15-16-17-19-21-23T
- V-group sprocket teeth combination: 13-14-15-17-19-21-23-26T

ITEM NO.	SHIMANO CODE NO.	DESCRIPTION
1	Y1YA01000	Lock Ring for 11T Top Gear
	Y11F01000	Lock Ring for 12T, 13T Top Gear
2	Y1ZJ1140E	Sprocket Wheel 11T (Built in spacer type) for bf/an-Group
	Y11F1149E	Sprocket Wheel 11T (Built in spacer type) for aw/ca-Group
	Y11F1219E	Sprocket Wheel 12T (Built in spacer type) for S/U-Group
3	Y11F1223E	Sprocket Wheel 12T (Built in spacer type) for W-Group
	Y11F1320E	Sprocket Wheel 13T (Built in spacer type) for T/V-Group
	Y11F1319E	Sprocket Wheel 13T (Built in spacer type) for S/U-Group
4	Y11F1323E	Sprocket Wheel 13T (Built in spacer type) for W-Group
	Y11F1420E	Sprocket Wheel 14T (Built in spacer type) for T/V-Group
	Y12009230	Lock Ring Removal Tool (TL-LR15)

Feb.-2017-3072B

© Shimano Inc. I

Specifications are subject to change without notice.

SHIMANO