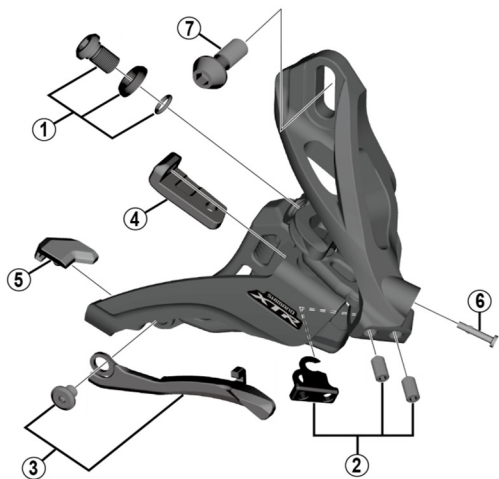
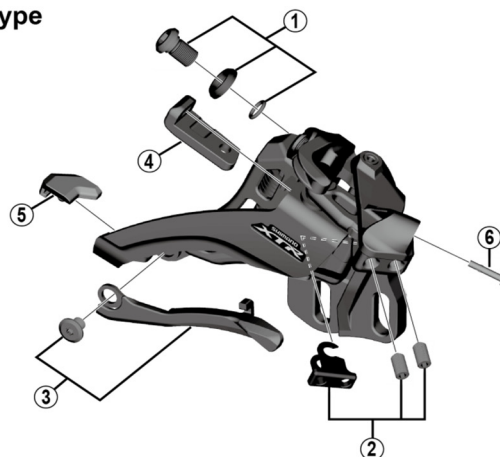


XTR SIDE SWING Front Derailleur (2x11-speed) FD-M9020

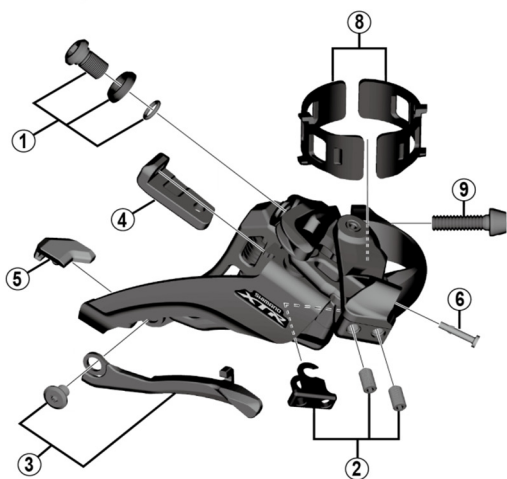
D-type



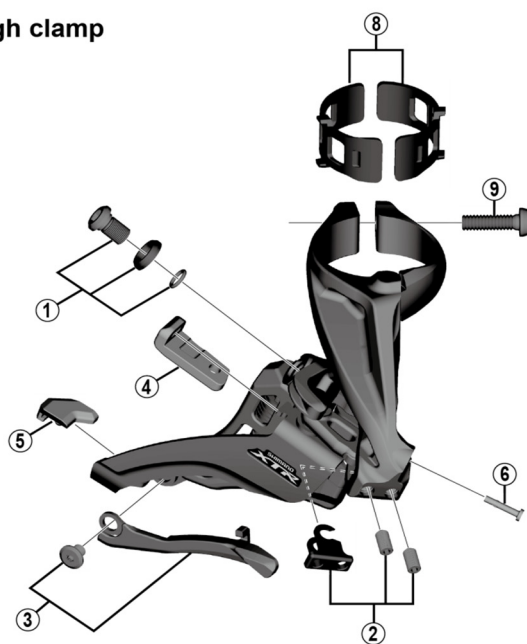
E-type



Low clamp



High clamp



| ITEM NO. | SHIMANO CODE NO. | DESCRIPTION |
|----------|------------------|--|
| 1 | Y5R198010 | Cable Fixing Bolt & Plate ,O-Ring (M6 x 16) |
| 2 | Y5R198020 | Stroke Adjust Screws (M4 x 8) & Plate for FD-M9020 |
| 3 | Y5R198030 | Chain Catcher & Fixing Bolt(M4 x 5) |
| 4 | Y5R213000 | Rubber Pad A |
| 5 | Y5R214000 | Rubber Pad B |
| 6 | Y5PV48000 | Guard pipe |
| * 7 | Y5R230000 | Clamp Bolt (M6 x 14.5) |
| 8 | Y57Y98030 | Clamp Band Adapters for S-size / Diameter 28.6 mm |
| | Y57Y98040 | Clamp Band Adapters for M-size / Diameter 31.8 mm |
| 9 | Y5R007000 | Clamp Bolt (M5 x 18.5) |

Apr.-2019-3789A
© Shimano Inc. I

Specifications are subject to change without notice.

SHIMANO