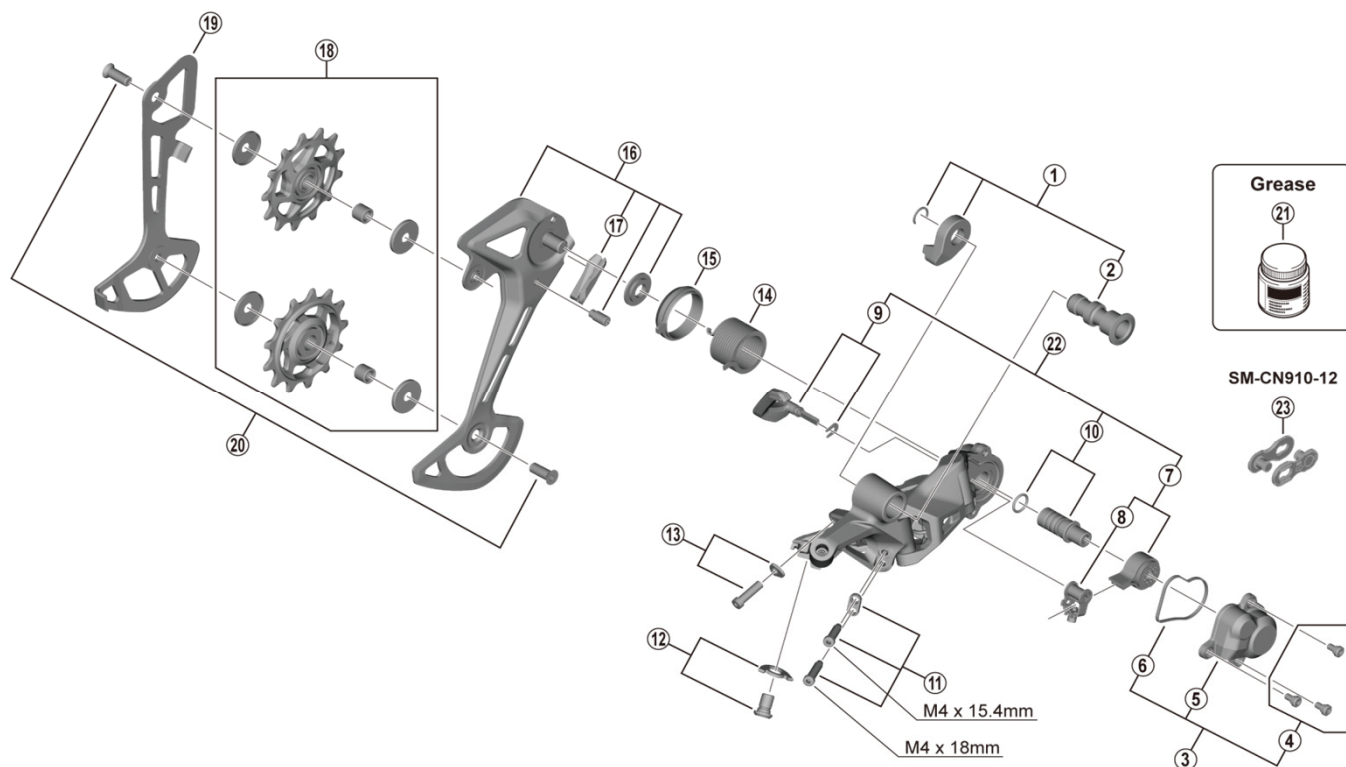


SLX Rear Derailleur RD-M7100-SGS 12-speed



| ITEM NO. | SHIMANO CODE NO. | DESCRIPTION |
|----------|------------------|--|
| 1 | Y3FY98020 | Bracket axle unit |
| 2 | Y3FW42000 | B-axle |
| 3 | Y3FY98030 | P-cover unit |
| 4 | Y5Y198070 | P-cover screw set (3 pcs.) |
| 5 | Y3FY46000 | P-cover |
| 6 | Y3FA63000 | P-cover packing |
| 7 | Y3GF98040 | Stabilizer unit and cam unit |
| 8 | Y3E498040 | Cam unit |
| 9 | Y3FA98040 | Switch lever unit and fixing plate |
| 10 | Y5PV98060 | P-axle and O-ring |
| 11 | Y3FW98050 | Stroke adjusting screws and plate |
| 12 | Y3FW98060 | Cable fixing screw and plate |
| 13 | Y3FW98070 | End adjust screw (M4 x 14.1) and plate |
| 14 | Y3FA55000 | P-tension spring |
| 15 | Y3FA62000 | P-seal ring |
| 16 | Y3FY98050 | Outer plate assembly (SGS) |
| 17 | Y3FY51000 | Bumper |
| 18 | Y3FY98010 | Tension and guide pulley set |
| 19 | Y3FY26000 | Inner plate (SGS) |
| 20 | Y50J98070 | Pulley screw (2 pcs.) |
| 21 | Y04121000 | New grease for stabilizer (Net. 50 g) |
| * 22 | Y3FA98100 | Stabilizer kit unit |
| * 23 | ISMEN91012A | SM-CN910-12 QUICK-LINK |

Apr.-2021-4607A
© Shimano Inc. I

Specifications are subject to change without notice.

SHIMANO