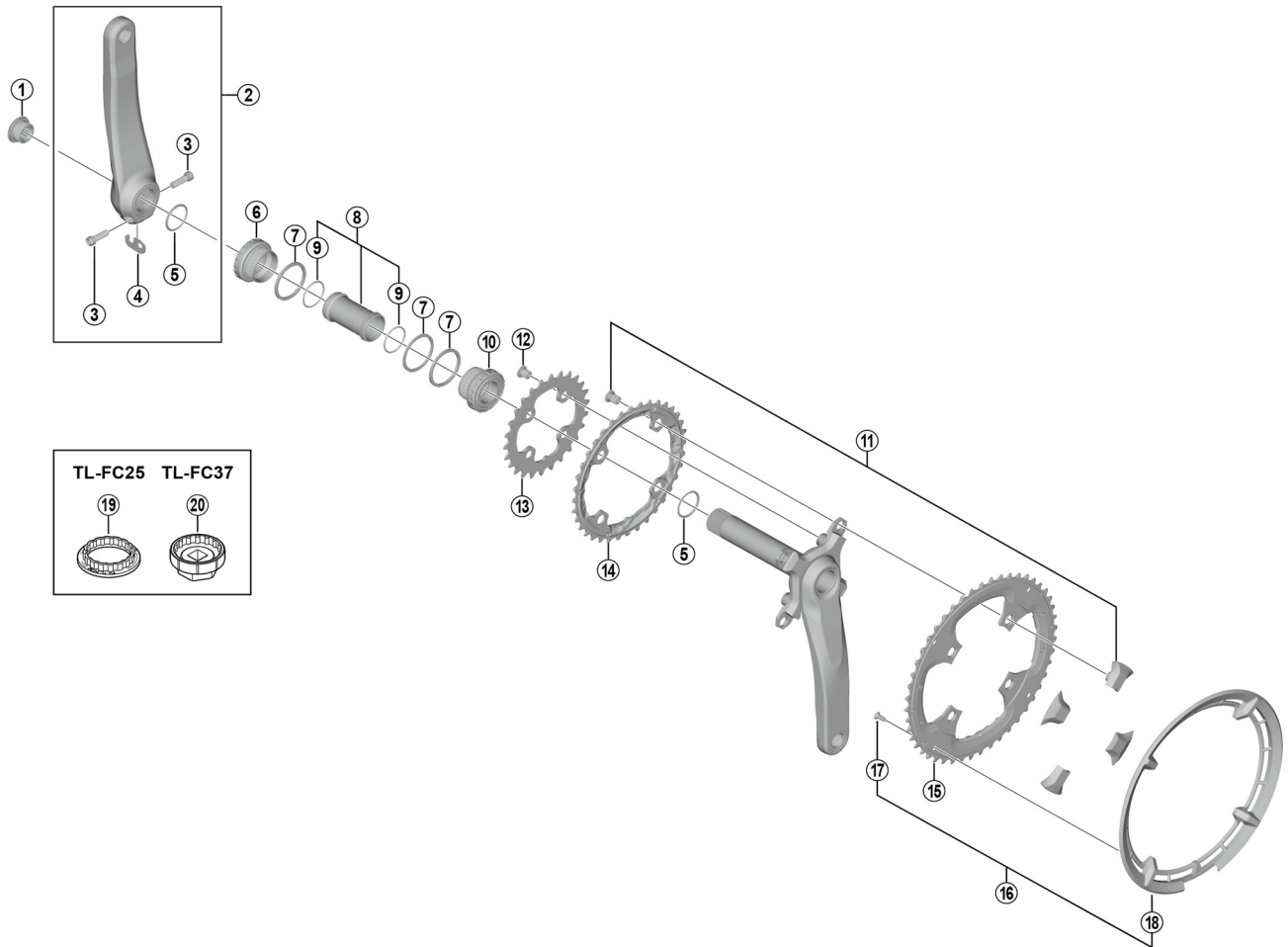


DEORE XT Crankset
FC-T8000
BB-MT801 BB-MT800



- Chaining teeth specification: 48-36-26T
- P.C.D. 104 mm (for outer chaining and middle chaining), 64 mm (for inner chaining)

FC-T800

ITEM NO.	SHIMANO CODE NO.	DESCRIPTION	INTERCHANGE-ABILITY
1	Y1F811100	Crank arm mounting screw	A
2	Y1RL98020	Left hand crank arm unit 170 mm	B
	Y1RL98030	Left hand crank arm unit 175 mm	B
3	Y1GS21000	Crank fixing screw with washer (M6 x 21)	
4	Y1FU98120	Plate	A
5	Y1F316000	Ring	A
* 6	Y2LC98010	Left hand cup (B.C.1.37" x 24T) english thread (BB-MT801)	B
	Y1V698010	Left hand cup (B.C.1.37" x 24T) english thread (BB-MT800)	B
7	Y1F813000	Spacer (2.5 mm)	B
8	Y1E598210	Inner cover and O-ring	A
9	Y1TF21000	O-ring	A
* 10	Y2LC98020	Right hand cup (B.C.1.37" x 24T) english thread (BB-MT801)	B
	Y1V698020	Right hand cup (B.C.1.37" x 24T) english thread (BB-MT800)	B
11	Y1VL98020	Chaining fixing screw (M8 x 10.1 / 1 unit = 4 pcs.) and fixing part (1 unit = 4 pcs.)	
12	Y1NV98040	Inner chainring fixing screw (M8 x 8.5 / 1 unit = 4 pcs.)	B
13	Y1J226000	Chainring 26T	A
14	Y1MP98020	Chainring 36T-AL	A
15	Y1VL98010	Chainring 48T-AL for chain guard	
16	Y1VL98030	Chain guard (1 pc.) and fixing screws (1 unit = 4 pcs.)	B
17	Y1D298010	Chain guard fixing screw (1 unit = 4 pcs.)	A
18	Y1VL12000	Chain Guard	B
19	Y13009260	TL-FC25 Bottom bracket cup tool	
20	Y13009270	TL-FC37 Bottom bracket cup tool	

A: Same parts.

B: Parts are usable, but differ in materials, appearance, finish, size, etc.

Absence of mark indicates non-interchangeability.

Specifications are subject to change without notice.

Oct.-2022-4107B

© Shimano Inc. I

SHIMANO