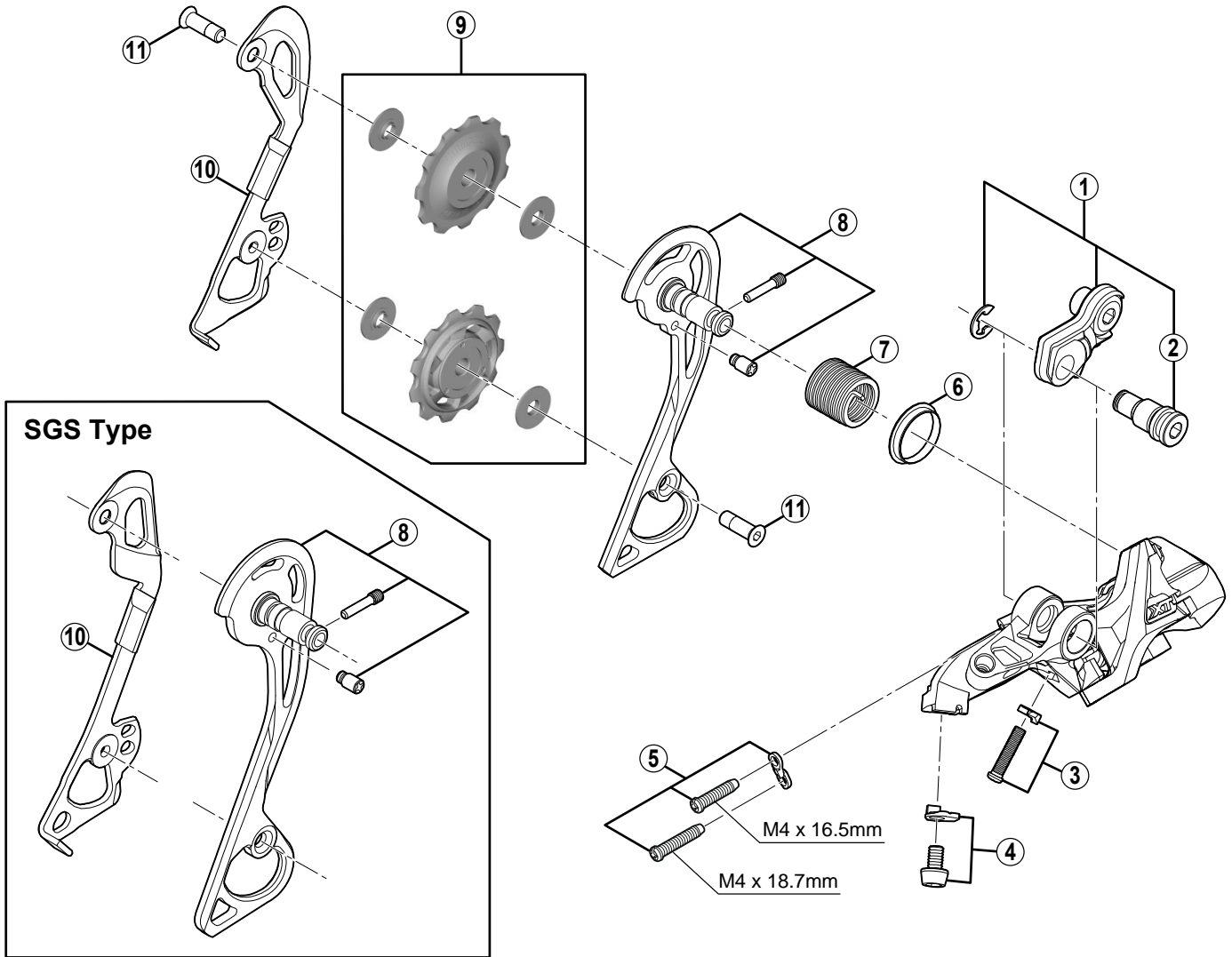


DEORE XT Rear Derailleur (10-speed)

RD-M781 (GS/SGS) Silver / Black Version

RD-M781-D (GS/SGS) Silver / Black Version



ITEM NO.	SHIMANO CODE NO.	DESCRIPTION	RD-M781		RD-M670	
			INTERCHANGE-ABILITY		INTERCHANGE-ABILITY	
1	Y5Y098010	Bracket Axle Unit (for normal type)			B	
2	Y50Y17000	B-Axle 2 (for Direct Mount type)			A	
3	Y5XP98030	B-Tension Adjusting Screw (M4 x 18) & Plate			A	
4	Y5W798030	Cable Fixing Bolt (M5 x 8) & Plate			A	
5	Y5W798020	Stroke Adjusting Screws & Plate	B		A	
6	Y5UC14000	P-Seal Ring	A		A	
7	Y5W722000	P-Tension Spring			A	
8	Y5Y098020	Outer Plate Assembly (GS-Type)			B	
	Y5Y098030	Outer Plate Assembly (SGS-Type)			B	
* 9	Y5XF98130	Tension & Guide Pulley Set				
10	Y5XC09100	Inner Plate (GS-Type)	B		A	
	Y5Y010000	Inner Plate (SGS-Type)			A	
11	Y53M24400	Pulley Bolt (M5 x 13.95)				

A: Same parts.

B: Parts are usable, but differ in materials, appearance, finish, size, etc.

Absence of mark indicates non-interchangeability.

Specifications are subject to change without notice.

Feb.-2016-3320A

© Shimano Inc. I

SHIMANO