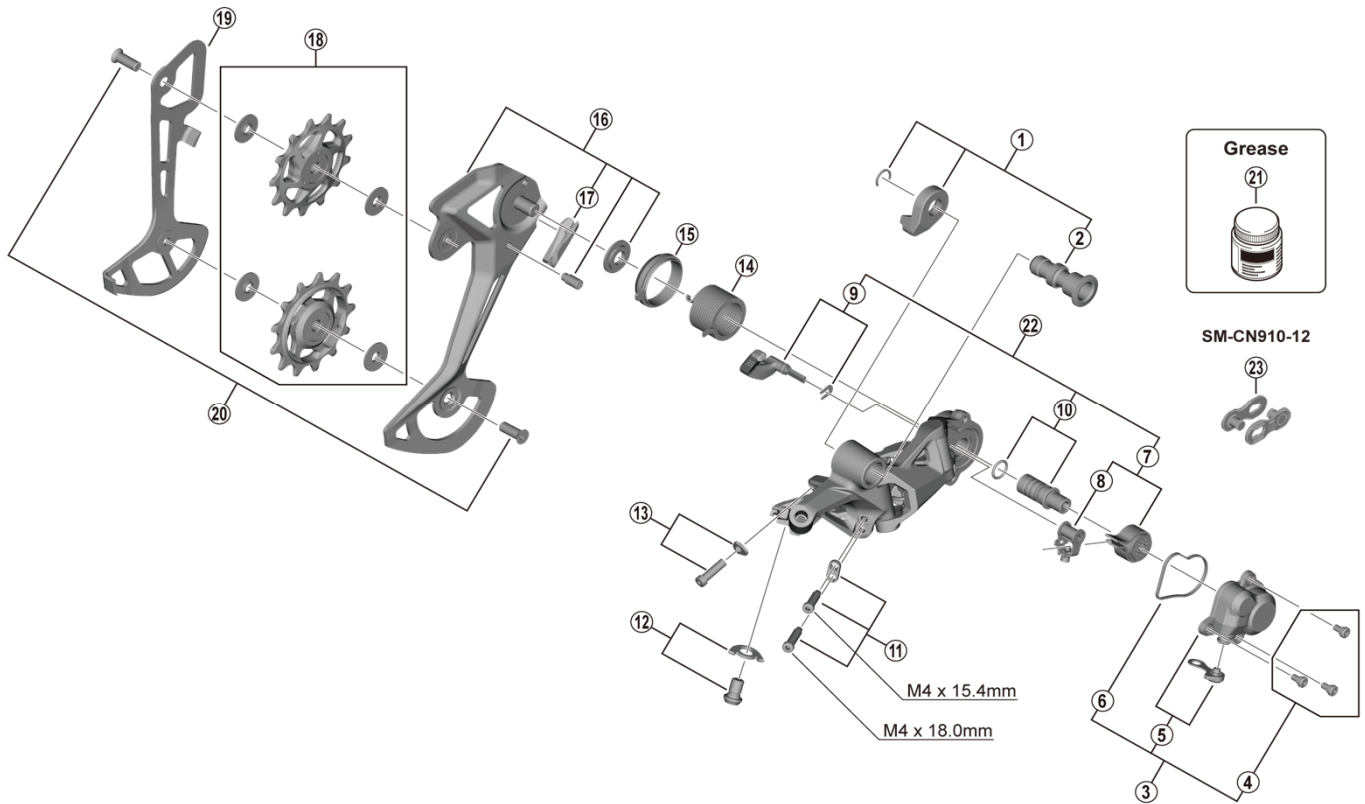


DEORE XT Rear Derailleur  
**RD-M8100-SGS** 12-speed



RD-M8100

ITEM NO.	SHIMANO CODE NO.	DESCRIPTION	INTERCHANGEABILITY
1	Y3FW98020	Bracket axle unit	
2	Y3FW42000	B-axle	
3	Y3FW98030	P-cover unit	B
4	Y5Y198070	P-cover screw set (3 pcs.)	A
5	Y3FW98040	P-cover and cap	B
6	Y3FA63000	P-cover packing	A
7	Y3GF98040	Stabilizer unit and cam unit	A
8	Y3E498040	Cam unit	A
9	Y3FA98040	Switch lever unit and fixing plate	A
10	Y5PV98060	P-axle and O-ring	A
11	Y3FW98050	Stroke adjusting screw and plate	
12	Y3FW98060	Cable fixing screw unit	B
13	Y3FW98070	End adjust screw (M4 x 14.1) and plate	
14	Y3FA55000	P-tension spring	A
15	Y3FA62000	P-seal ring	A
16	Y3FW98080	Outer plate assembly (SGS)	
17	Y3FW50000	Bumper	
18	Y3FW98010	Tension and guide pulley set	
19	Y3FW26000	Inner plate (SGS)	B
20	Y3FW98090	Pulley screw (2 pcs.)	
21	Y04121000	New grease for stabilizer (Net. 50 g)	
* 22	Y3FA98100	Stabilizer kit unit	A
* 23	ISMEN91012A	SM-CN910-12 QUICK-LINK	A

A: Same parts.

B: Parts are usable, but differ in materials, appearance, finish, size, etc.

Absence of mark indicates non-interchangeability.

Specifications are subject to change without notice.

Apr.-2021-4518A

© Shimano Inc. I

**SHIMANO**